

Self Supporting Towers

TIME TESTED STRENGTH AND DESIGN

The TSV Series of Self-Supporting Towers provide an excellent strength to cost ratio proven by years of use. In production over 20 years, the TSV has evolved into a highly efficient and wide ranging system of custom towers produced from pre-engineered sections.

WORLDWIDE MULTIPLE USES

TSV/SSV towers are in use Worldwide for two way communications, microwave, cellular, PCS, public safety, broadcast, STL, surveillance camera mounts, solar power stations, weather stations and even high level lighting of sports stadiums.



IN ASSOCIATION WITH ROHN

TAYLOR





T S V T O W E R F E A T U R E S

- Time tested design
 - Tubular or solid steel leg design
 - Custom designs from pre-engineered sections
- All parts Hot Dip Galvanized after fabrication





TSV100	height	100'	£4,900
TSV200	height	200'	£11,800
TSV300	height	300'	£24,936
TSV400	height	400'	£75,110.
TSV600	height	600'	£251,100.
TSV900	height	900'	Contact sales

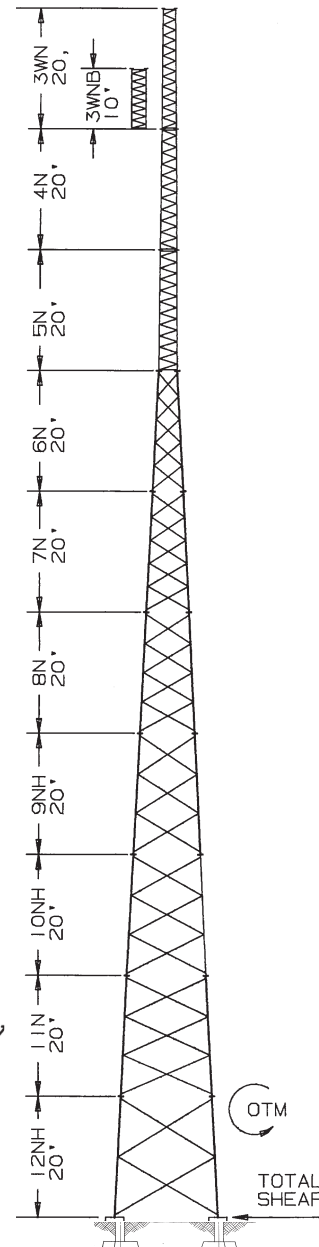
Ex Works

The above prices are for a typical standard hot dipped galvanized tower. Safety climbing devices, aviation lighting, aviation colours., feeder tray ect are optional items.,these are available please ask for them if you require them to be added to a quotation

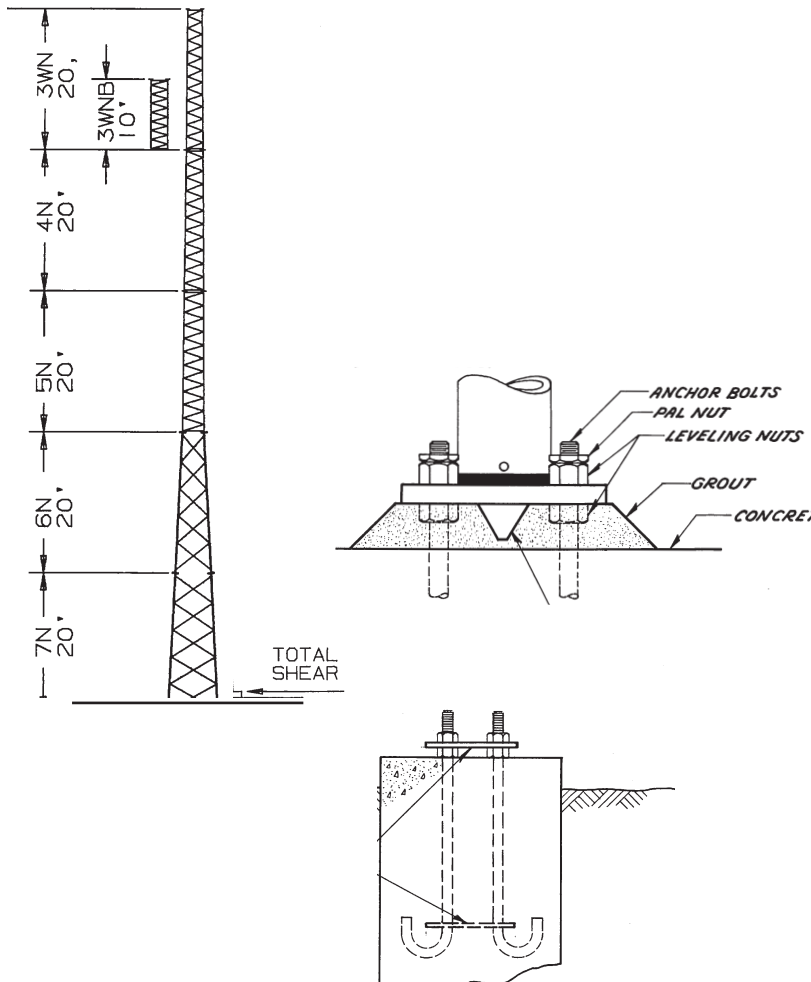
The loading on these towers are for a typical broadcast antenna such as our UHF turnstile type 771-304..

For a quotation to meet your requirements please contact sales giving details of antenna loading and any additional items

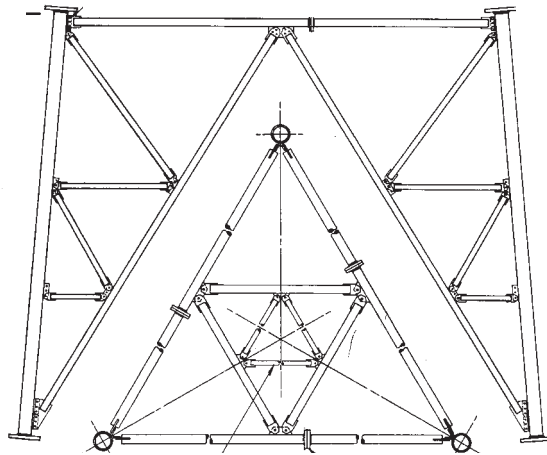
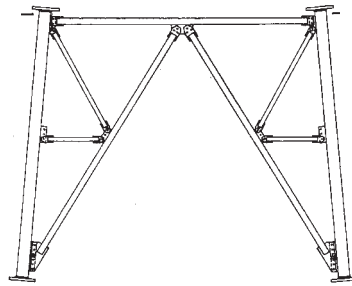
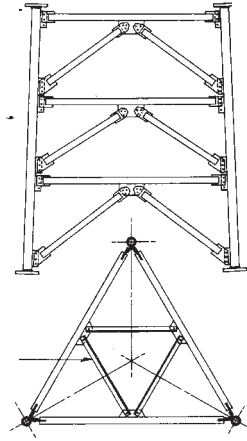
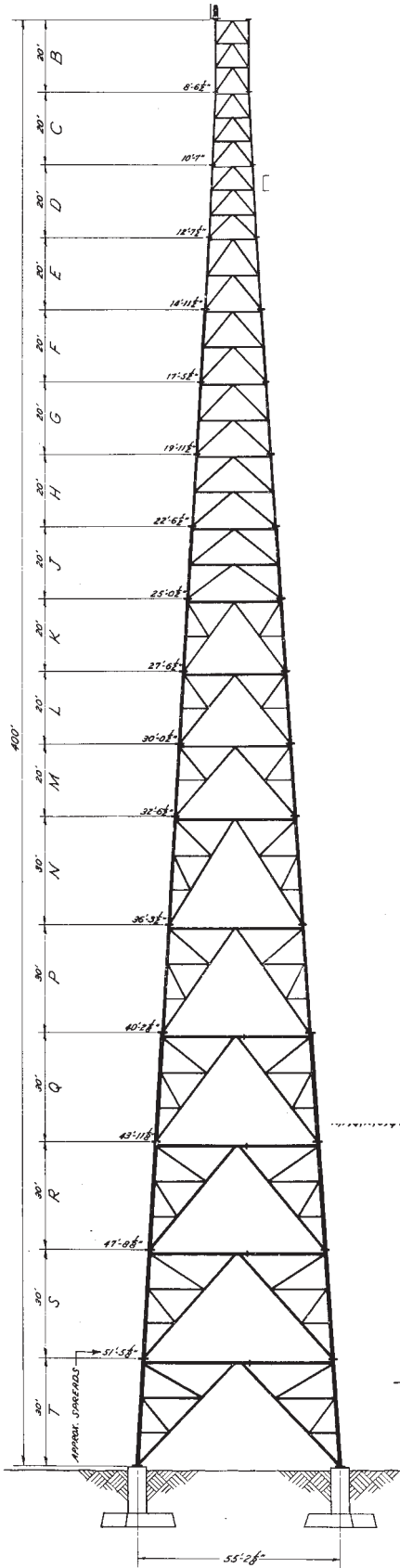
TSV200 200' tower



TSV100 100' tower



Prices are subject to change without notice



TAYLOR

UNMATCHED ATTENTION TO DETAIL

Self-Supporting Towers are produced with attention to detail.

TSV Towers are Hot Dip Galvanized after fabrication to assure years of corrosion free use. In this process each section of the tower is totally immersed in molten zinc, allowing every square inch of the tower, inside and out, to be completely covered. Hot Dip Galvanizing protects all points of welding and construction against rust and corrosion while providing an attractive finish.

TSV Structures are available with a wide variety of pre-designed accessories including platforms, antenna mounts, ladders, lighting accessories, mounts, ice shields and safety climbing devices. Most TSV sections use angle steel cross bracing, with lighter upper sections using a Zig-Zag® brace pattern. TSV sections can be combined with "braced TSMW tower sections for added height and strength when needed.





TAYLOR



Taylor Bros. (Oldham) Limited. Tel: 0161 652 3221, Fax: 0161 626 1736

USA Orlando Fl 32836 407 363 1922 Fax 407 3632818

www.taylortransmitters.com

OB2 Double Lamp



£264.00



OB1 Single Lamp

£149.44



OBSTRUCTION LIGHTS:

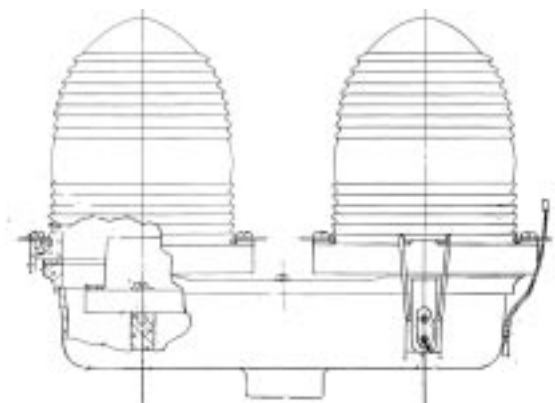
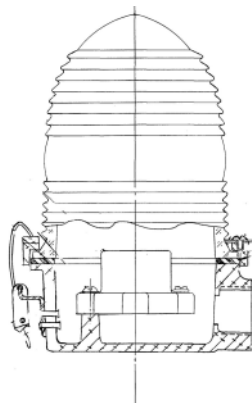
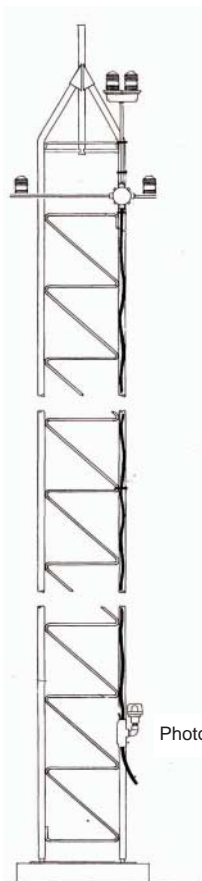
OB1 - single lamp supplied with a side entrance tapped 3/4". The OB1 is designed to facilitate installation on horizontal conduit stubs

OB2 - same as OB1, except it has double lamps and bottom entrance fitting for installation on 3/4" vertical conduit

Both models use flanged Fresnel lenses, stainless steel latches, retainer cable, and copper-free, cast aluminum housing. Lamps are not included (lamps purchased separately). OB116W-(120V, 116W, 8000HR). OB116W230V-(230V, 116W, 8000HR)



£4.80



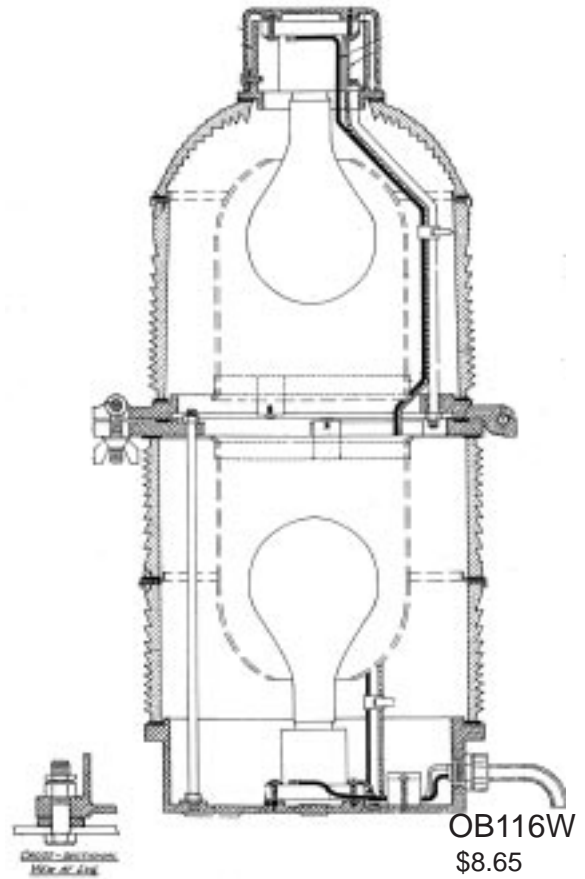


T1R Beacon

£833.10

BEACONS:

T1R 300mm Code Beacon is engineered to meet all FAA and FCC specifications. It is designed for continuous service in all weather conditions. Features include heat resistant lenses and tough internal wiring made of heavy insulated, flexible cable. Dimensions are 31" high X 12 3/4" diameter. Two 620W, 120V, 3000 hour mogul prefocused airway beacon lamps are required (B620W, ordered separately). 230V Beacon lamps (T700W/230V) are available. Mounting dimensions are four 5/8" bolts on a 13 1/4" bolt circle.



OB116W
\$8.65

PRE FOCUSED AIRWAY
BEACON LAMP 3000
HOUR
£105.00

TB620W 120V 650W
Version £30.55



BEACON FLASHER UNIT ONLY

Models FA1SSX1 and FA2SSX1 are used to flash the beacon only. Photo control or manual control is provided by the user.