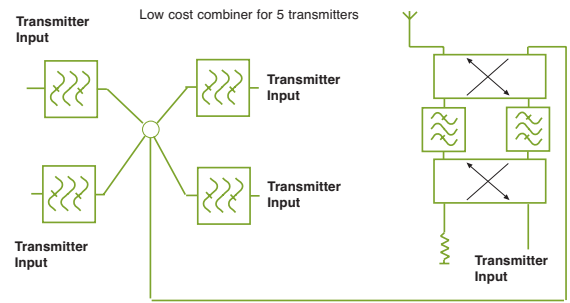
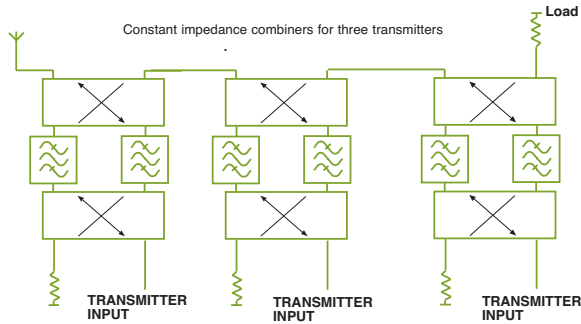
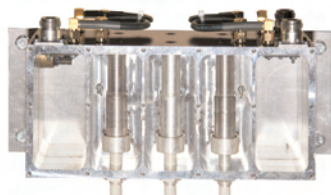


UHF/VHF ANTENNA COMBINING FILTERS FOR TV TRANSMITTERS

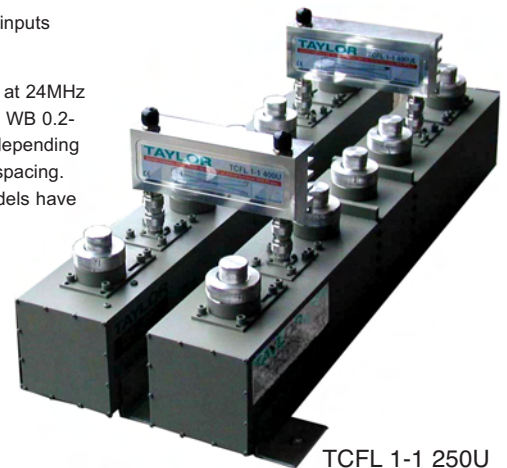


TCFL 1-1 100A



Min spacing between inputs
16MHz

Typical Insertion Loss at 24MHz
spacing NB 0.7-0.9dB WB 0.2-
0.35dB Results vary depending
on frequency and ch spacing.
The higher power models have
lower insertion loss.



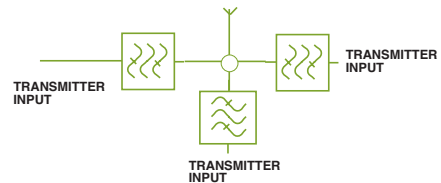
TCFL 1-1 250U

These constant impedance antenna combiner couplers offer superior performance in comparison to combining transmitter outputs using a star filter. This is of particular importance in TV broadcasting where bandpass filters have been installed on the outputs of transmitters, due to local requirements. Because of the bandwidth required for TV broadcasting, the impedance is not constant across the band on a bandpass filter, in

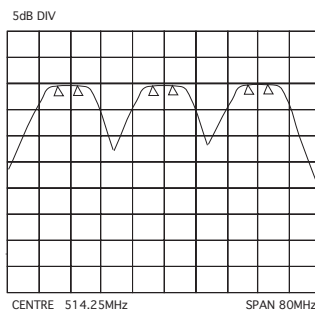
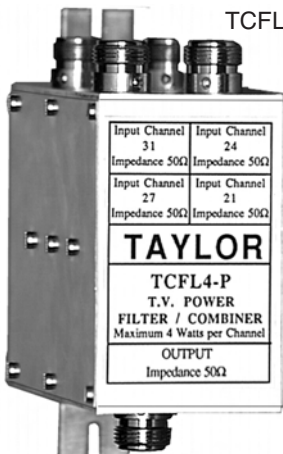
particular where adjacent channel traps are employed. Because a star filter doesn't have a constant impedance, a mismatch can occur between the transmitter bandpass filter and the star combining filter. A mismatch is avoided if a constant impedance combiner/filter is used. As the name of the filter indicates, the impedance is a constant at 50Ω across the band.

Type	Frequency MHz	Input power	Sum power	Connectors	Price
TCFL1-1 100A	470-860	10W	60W	In N out N	£445.00
TCFL1-1 100U	470-861	100W	500W	In N out N	£680.00
TCFL1-1 100V	160-230	100W	500W	In N out N	£680.00
TCFL1-1 250U	470-861	250W	500W	In N out N	£950.00
TCFL1-1 250V	160-230	250W	500W	In N out N	£950.00
TCFL1-1 500U	470-861	500W	1000W	In N out 7/8 IEA	£1,180.00
TCFL1-1 500V	160-230	500W	1000W	In N out 7/8 IEA	£1,180.00
TCFL1-1 2000U	470-861	2000W	4000W	In 7/8 out 1 5/8 IEA	£2,825.00
TCFL1-1 2000V	160-230	2000W	4000W	In 7/8 out 1 5/8 IEA	£2,825.00

Three transmitters combined using a star filter e.g. TCFL3-PR1.



TCFL4-P



ANTENNA FILTER/COMBINERS TO COMBINE LOW POWER TV TRANSMITTERS

Type	Impedance	Insertion Loss	Power Per Ch	Channels	Price
TCFL4-P	50Ω	.5 - .7dB	4W	4	£260.77
TCFL3-P	50Ω	.5 - .7dB	4W	3	£207.51
TCFL2-P	50Ω	.5 - .7dB	4W	2	£160.35
TCFL4-P(75)	75Ω	.5 - .7dB	4W	4	£260.77
TCFL3-P(75)	75Ω	.5 - .7dB	4W	3	£207.51
TCFL2-P(75)	75Ω	.5 - .7dB	4W	2	£160.35