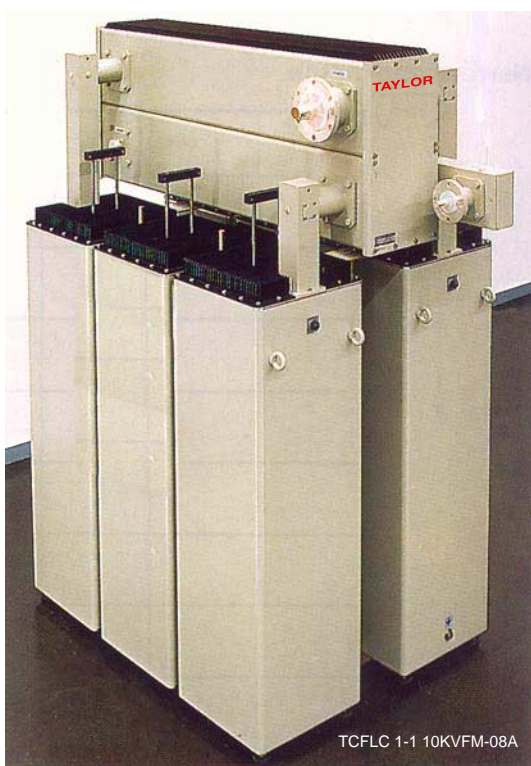
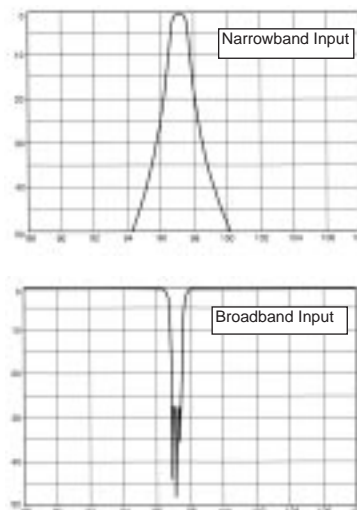
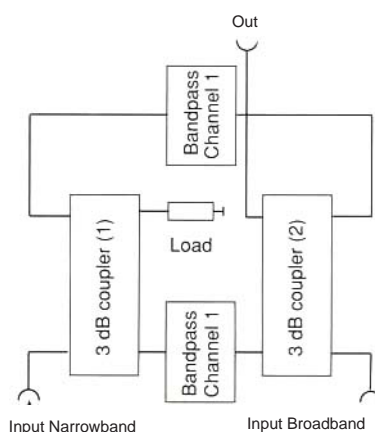


TAYLOR

FM Band 2 Constant Impedance Combining Filters



Typical Filter Combiner Graphs
Example TCFLC 1-1 1000VFM-08B



contact sales for prices

Type	Input Narrowband	Input Wideband	Max Power Narrowband	Max Power Wideband	Max Sum Power	Min Frequency Spacing	Insertion Loss NB to Out	Insertion Loss BB to Out	Isolation Loss NB to BB	Isolation Loss BB to NB	Connectors
TCFLC 1-1 200VFM2.0A	87.5-108MHz	87.5-108MHz	200W	800W	1000W	1.5MHz	<0.7dB	<0.2dB	>30dB	>50dB	7/16 Female
TCFLC 1-1 300VFM2.0A	87.5-108MHz	87.5-108MHz	300W	700W	1000W	2.0MHz	<0.3dB	<0.15dB	>30dB	>45dB	7/16 Female
TCFLC 1-1 600VFM-2.0B1	87.5-108MHz	87.5-108MHz	600W	600W	1.2KW	2.0MHz	0.4-0.8dB	<0.1dB	>30dB	>45dB	7/16 Female
TCFLC 1-1 600VFM-08B2	87.5-108MHz	87.5-108MHz	600W	600W	1.2KW	0.8.0MHz	0.4-0.8dB	<0.2dB	>30dB	>45dB	7/16 Female
TCFLC 1-1 600VFM-09B2	87.5-108MHz	87.5-108MHz	600W	600W	1.2KW	0.9.0MHz	0.4-0.8dB	<0.2dB	>30dB	>45dB	7/16 Female
TCFLC 1-1 1000VFM-08A	87.5-108MHz	87.5-108MHz	1KW	1KW	2KW	0.8.0MHz	0.2dB	<0.1dB	>30dB	>45dB	7/8 EIA
TCFLC 1-1 1000VFM-08B	87.5-108MHz	87.5-108MHz	1KW	4KW	5KW	0.8.0MHz	0.35-0.5dB	<0.2dB	>30dB	>45dB	7/8 EIA
TCFLC 1-1 5KVFM-08A	87.5-108MHz	87.5-108MHz	5KW	5KW	10KW	0.8.0MHz	0.3-0.4dB	<0.15dB	>35dB	>55dB	1.5/8 EIA
TCFLC 1-1 5KVFM-2.0A	87.5-108MHz	87.5-108MHz	5KW	5KW	10KW	2.0MHz	0.3dB	<0.1dB	>35dB	>55dB	1.5/8 EIA
TCFLC 1-1 10KVFM-08A	87.5-108MHz	87.5-108MHz	10KW	25KW	35KW	0.8.0MHz	0.3-0.4dB	<0.15dB	>35dB	>55dB	1.5/8 EIA NB 3.1/8EIA BB
TCFLC 1-1 10KVFM-2.0A	87.5-108MHz	87.5-108MHz	10KW	25KW	35KW	2.0MHz	0.3-0.4dB	<0.15dB	>35dB	>55dB	1.5/8 EIA NB 3.1/8EIA BB

Specifications subject to change without notice
Available with different connectors